



KODAK MEMO SHOT ERA MS100

User Guide Guide de l'utilisateur Kasutusjuhend Podręcznik użytkownika Benutzerhandbuch ユーザーガイド

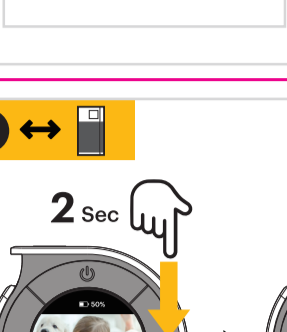
guía del usuario Uživatelská příručka 사용자 설명서 Naudojtojo gidas Användarguide 单色热敏即时相机 用户指南

Guida dell'utente Uživatelská příručka Käyttöohjeet Lietotāja rokasgrāmata Brugervejledning 用户指南

www.kodakphotoprinter.com



APP ↓

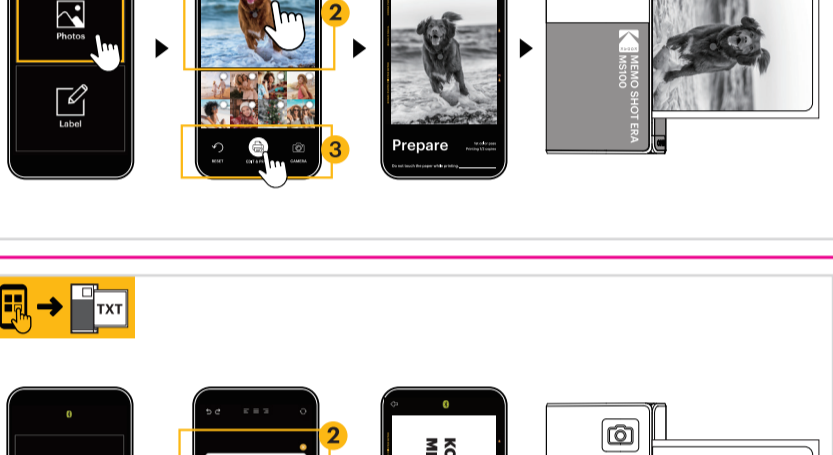
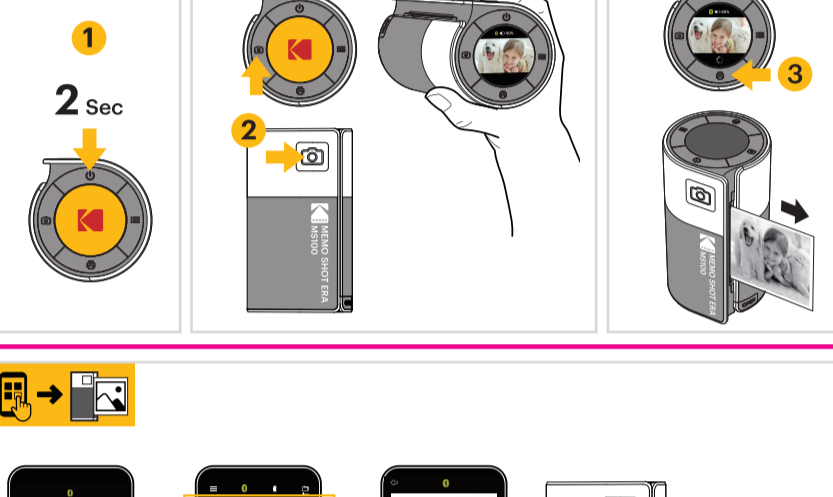
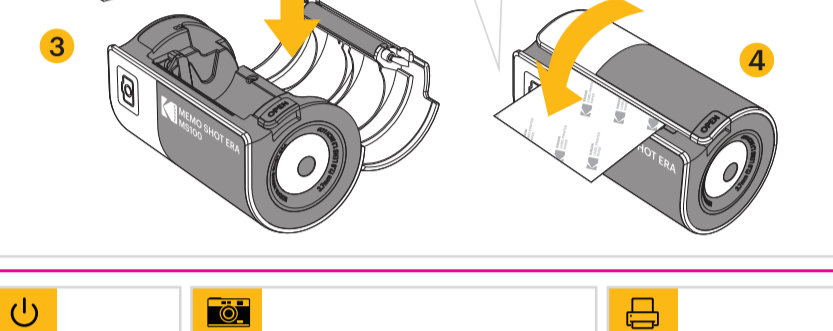
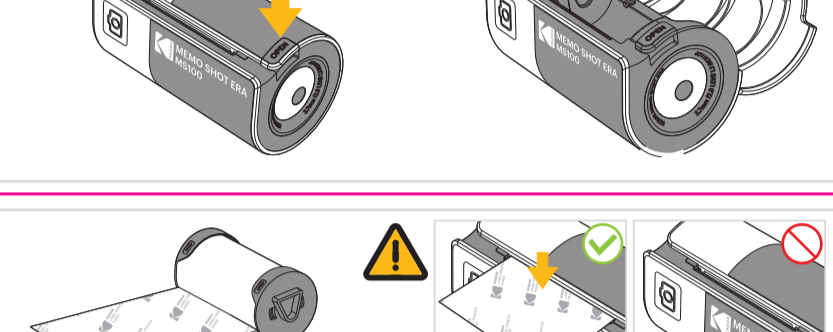
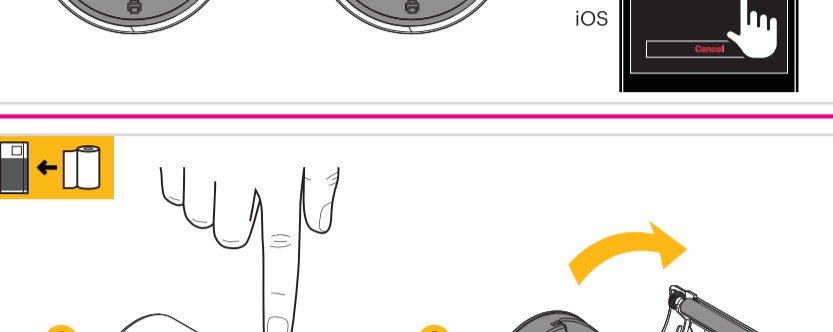


KODAK MEMO



Available on the App Store

ANDROID APP ON Google play



产品保修卡 (主卡) 厂家留存联

产品SN码 _____

客户姓名 _____

联系方式 _____

购买日期 _____

售出终端 _____

报修日期	故障及处理	维修员

产品保修卡 (副卡) 用户留存联

产品SN码 _____

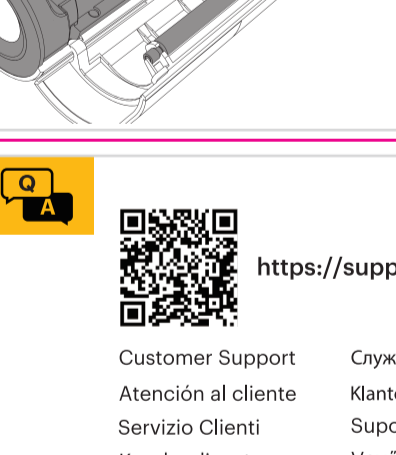
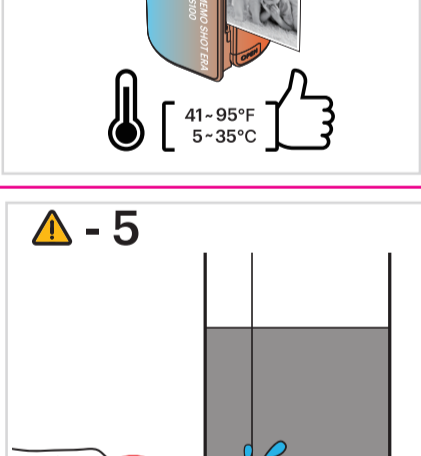
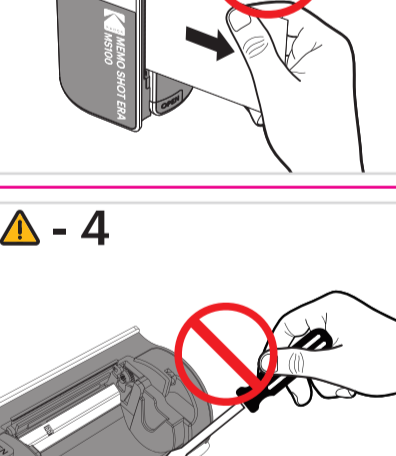
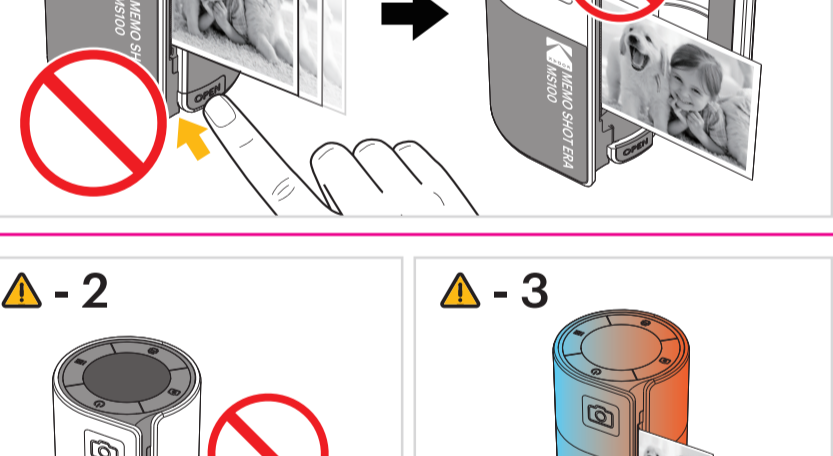
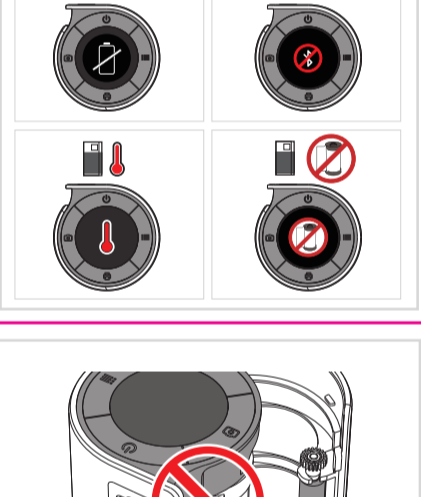
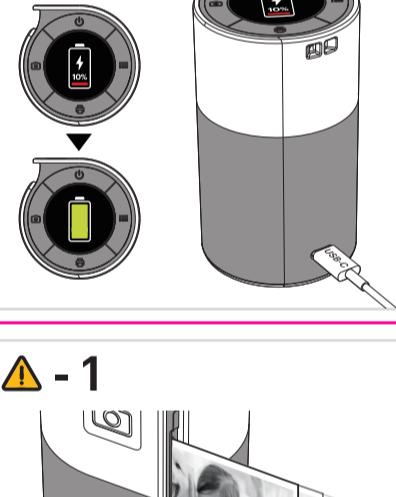
客户姓名 _____

联系方式 _____

购买日期 _____

售出终端 _____

“三包”服务政策(中国大陆地区)
 出现非人为损坏的外观问题或性能故障,享有国家规定的三包服务。
 消费者应遵守之日期:
 • 自机完成, 验收合格后;
 • 15日内, 可更换或维修;
 • 3年内, 可免费维修。
 本行“三包”服务范围:
 • 显不可抵抗力造成的损坏; 非经授权的维修/拆解等;
 • 长期(约3个月)未充电可能导致电池自然损耗, 无法激活充电的。



Customer Support Служба поддержки Obsługa klienta

Atención al cliente Klientenservice 客户支持

Servizio Clienti Suporte ao cliente 客户支持

Kundendienst Vevőszolgálat Müşteri desteği

Service client KundsUPPORT 顧客サポート

Zákaznická podpora 고객지원

ISED Statement

This device contains licence-exempt transmitter(s)/receiver(s) that comply with Innovation, Science and Economic Development Canada's licence-exempt RSS(s). Operation is subject to the following two conditions:

1. This device may not cause interference.
2. This device must accept any interference, including interference that may cause undesired operation of the device.

The device has been evaluated to meet general RF exposure requirement. The device can be used in portable exposure condition without restriction.

Le présent appareil est conforme aux CNR d'Industrie Canada applicables aux appareils radio exempts de licence. L'exploitation est autorisée aux deux conditions suivantes :

- (1) L'appareil ne doit pas produire de brouillage, et
- (2) l'utilisateur de l'appareil doit accepter tout brouillage radioélectrique subi, même si le brouillage est susceptible d'en compromettre le fonctionnement.

L'appareil a été évalué pour répondre aux exigences générales d'exposition aux RF. L'appareil peut être utilisé dans des conditions d'exposition portables sans restriction.

Any questions?

In case you need any assistance, please send an email to support@kodakphotoprinter.com.

FCC (Federal Communications Commission)

This device complies with part 15 of the FCC Rules. Operation is subject to the following two conditions:

- (1) This device may not cause harmful interference, and
- (2) This device must accept any interference received, including interference that may cause undesired operation.

Caution: Any changes or modifications to the equipment not expressly approved by the party responsible for compliance could void user's authority to operate the equipment.

This appliance and its antenna must not be co-located or operation in conjunction with any other antenna or transmitter.

A minimum separation distance of 20cm must be maintained between the antenna and the person for this appliance to satisfy the RF exposure requirements.

LIMITED ONE YEAR WARRANTY ON KODAK PHOTO PRINTER AND CARTRIDGE

Product	Duration of limited warranty
KODAK Instant Camera and Printer	Year
Refill Cartridge of KODAK Instant Camera and Printer	Year

Limitation of warranty and liability

To the extent allowed by local law, neither Princes nor its third-party suppliers makes any other warranty or condition of any kind, whether express, oral, written, statutory or implied warranties or conditions of merchantability, satisfactory quality and fitness for a particular purpose. We disclaim all other warranties, expressed or implied, statutory or otherwise, including without limitation, the warranties of merchantability for a particular purpose. Some states do not allow disclaimers of implied warranties, so this disclaimer may not apply to you. To the extent such warranties cannot be disclaimed under the laws of your jurisdiction, We limit the duration and remedies of such warranties to the duration of this express limited warranty.

Our responsibility for defective goods is limited to repair replacement or refund as described below in this warranty statement.

Princes Co., Ltd("We") may use this warranty. We extend this limited warranty only to the consumer who originally purchased the product ("you"). It does not extend to any subsequent owner or other transferee of the product.

This limited warranty does not cover any damage due to: (a) transportation; (b) storage; (c) improper use; (d) failure to follow the product instructions or to perform any preventive maintenance; (e) modifications; (f) unauthorized repair; (g) normal wear and tear; or (h) external caused such as accidents, abuse, or other actions or events beyond our reasonable control.

This limited warranty applies to above mentioned products. We warrant that above products specified will be free from defects in materials and workmanship for the duration specified above, which Limited Warranty Period begins on the date of product. If we receive during the applicable warranty period, notice of a defect in any product which is covered by the warranty, we shall either repair or replace the product at our option. We shall have no obligation to repair and replace until the customer returns the defective product to us.

To obtain warranty service, you must contact us by email at support@kodakphotoprinter.com for supports during the warranty period to obtain a defective merchandise authorization (DMA) number. Please note that customer is responsible for shipping charges for service request. No warranty service will be provided without a DMA number

© 2024 Princes Co., LTD.



The Kodak trademark, logo and trade dress are used under license from Kodak.

THANK YOU

GRACIAS MERCI VIELEN DANK GRAZIE Dank je

감사합니다 谢谢 Спасибо ありがとうございます

If you encounter any issues or have any questions, our customer service team is available 24/7 right by your side.